

HOW TO CREATE A PRINT - READY FILE - APRONS AND CHEF'S HATS

The following instructions are designed to help you create a proper print file. If still in doubt, please download the template, visit the FAQ section of our website, activate File Verification with an operator or call our Support Service.

1 FILE FORMAT

Our systems process only PDF files in a 1:1 scale. Any transparency of the source file will be kept.

2 COLOUR

All files must be sent in CMYK (cyan, magenta, yellow and black), assigning the Fogra 39 colour profile. Images in RGB or in PANTONE colours will be converted automatically to a standard separation profile.

ATTENTION: With direct print on textile, slight colour changes are to be considered normal, due to the variability of the print material (the physical composition of the textile) and the kind of ink used.

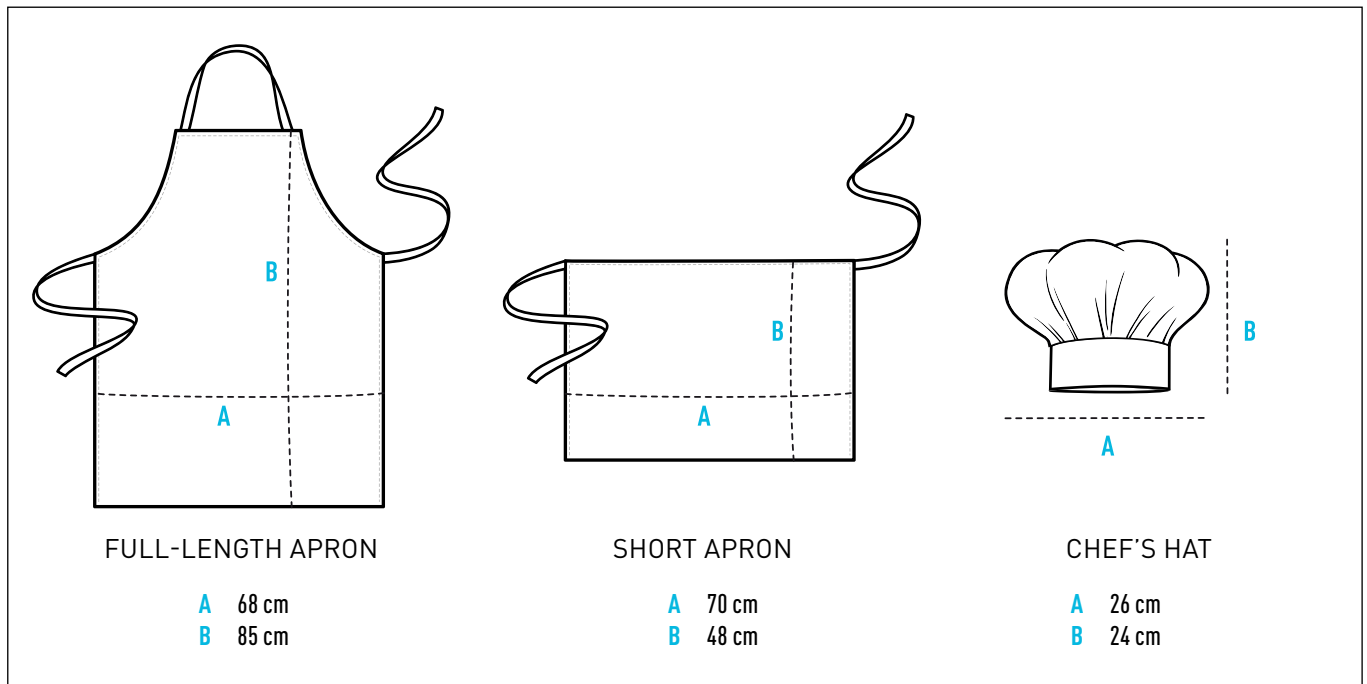
3 RESOLUTION

Optimal resolution is between 150 and 200 dpi in case of print of images only. If text is present, though, 300 dpi is the recommended resolution. Be careful not to go below 150 dpi to be sure to get a quality result.

4 DIRECT DIGITAL PRINT

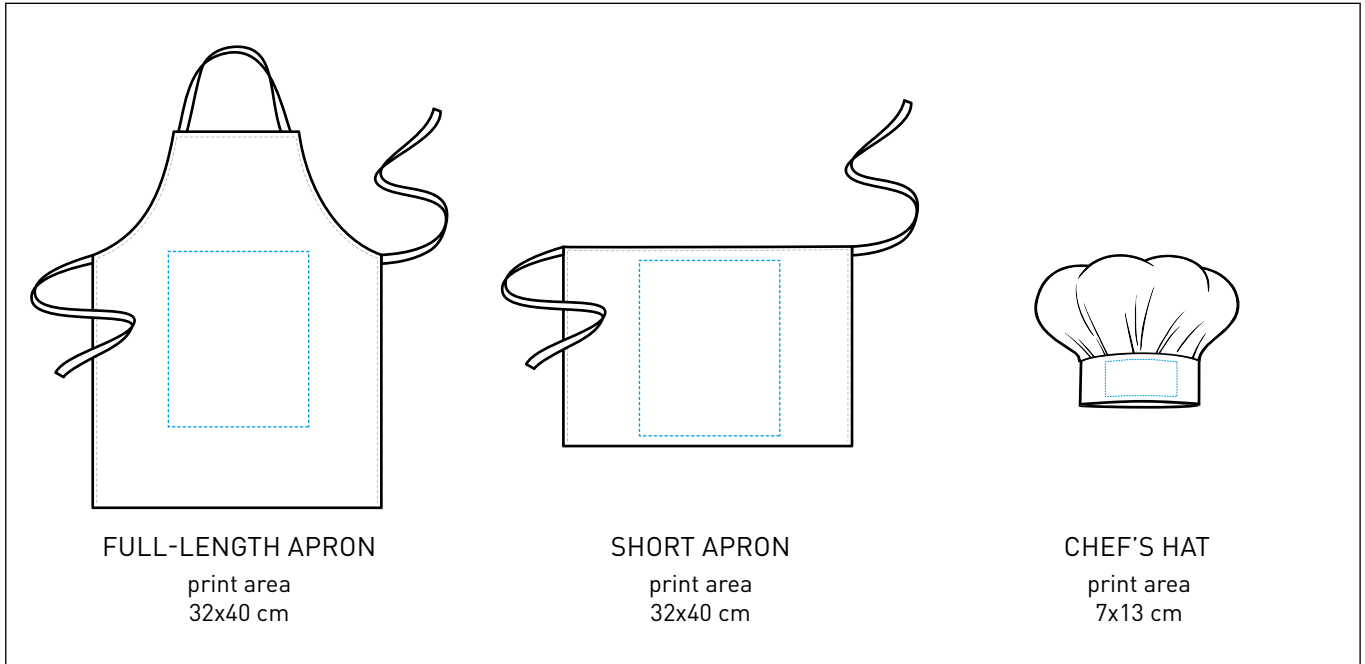
The print technique employed is direct digital print on textile. This innovative technique allows you to get extremely high quality results (provided the source file has got an adequate resolution) with incredibly sharp images, bright colours and endless shades.

The use of water-based inks means that the printed fabric is soft and the colour blends perfectly with the fabric, a result that is elegant, very natural and pleasant to wear. Images are printed in four-colour process.



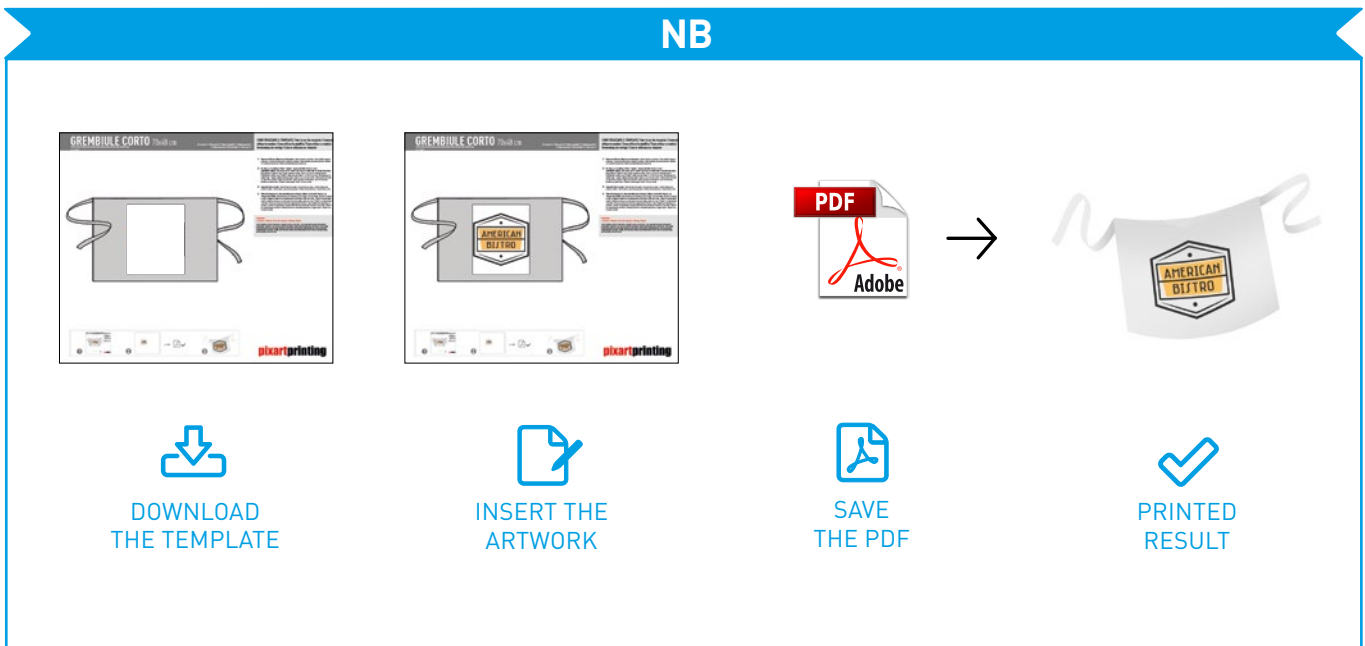
5 PRINT AREA

The customisable print areas are 32x40 cm for the aprons and 7x13 cm for the chef's hats.



6 TEMPLATE

To create a print file for these products, download the template from the website, add your graphics on the "Artwork" layer (or other layer of your choice) and save the PDF file.



YOUR FILE

PRINTED RESULT



transparency



transparency



transparency

